

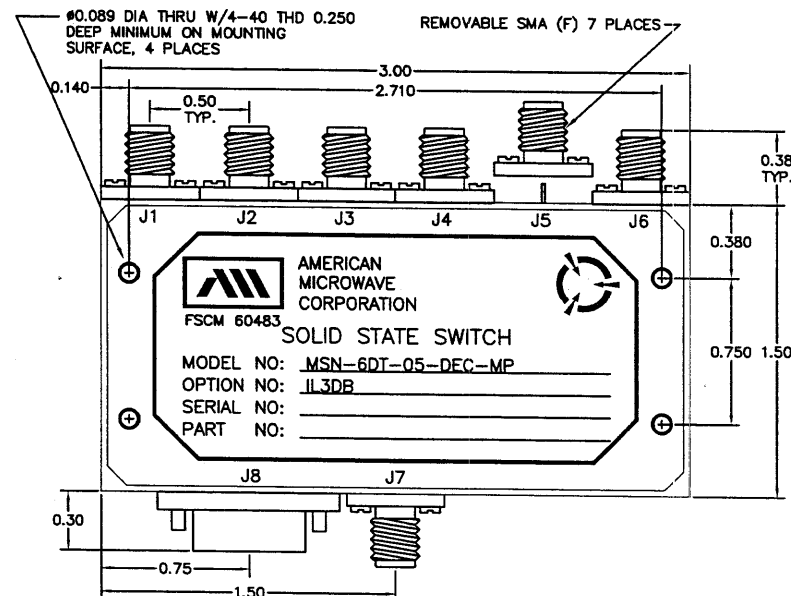
DESCRIPTION

AMC MODEL MSN-6DT-05-DEC-MP OPTION: IL3DB IS AN ABSORPTIVE/NON-REFLECTIVE SINGLE POLE SIX THROW SWITCH DESIGNED TO OPERATE OVER THE FULL 0.5 TO 18 GHz FREQUENCY RANGE WITH AN ISOLATION OF 60 dB MINIMUM AND INSERTION LOSS OF 3.5 dB MAXIMUM.

REV.		DESCRIPTION	DATE	APPROVED
-	-	ORIGINAL RELEASE JOB# 407176	10/12/04	ESC

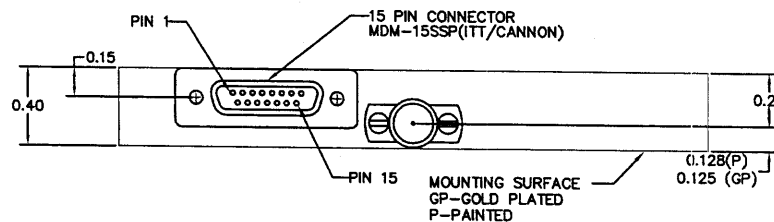
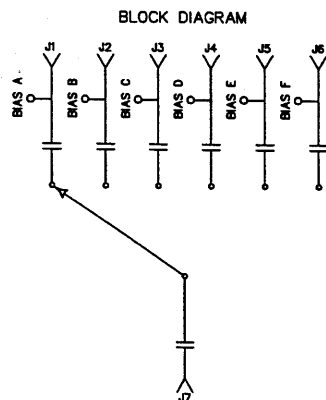
SPECIFICATIONS

- FREQUENCY RANGE: 0.5 TO 18 GHz
- INSERTION LOSS: 3.0 dB TYPICAL
3.5 dB MAXIMUM
- ISOLATION: 60 dB MINIMUM
- VSWR: 2.0:1
- RISE TIME: 15 nSec MAXIMUM
- FALL TIME: 15 nSec MAXIMUM
- DELAY ON: 100 nSec MAXIMUM
- DELAY OFF: 100 nSec MAXIMUM
- POWER INPUT: (CW)+20 dBm (STANDARD)
+10 dBm (HIGH SPEED)
- SURVIVAL POWER: 1 WATT CW, 10 WATTS PEAK 1 uSec
- CONTROL: SEE LOGIC TABLE
- POWER SUPPLY: +5V @ 300 mA MAXIMUM
-5V @ 100 mA MAXIMUM
- SIZE: 3.0" x 1.5" x 0.4"



PIN OUT TABLE	
3 BIT DECODER	
PIN NO.	FUNCTION
1	E1
2	E2
3	E3
4	N/C
5	N/C
6	N/C
7	N/C
8	N/C
9	N/C
10	N/C
11	N/C
12	GND
13	+V
14	-V
15	GND

LOGIC TABLE			
INPUTS			PORT ON
E1	E2	E3	PORT ON
H	L	L	J1
L	H	L	J2
H	H	L	J3
L	L	H	J4
H	L	H	J5
L	H	H	J6



ENVIRONMENTAL RATINGS

- TEMPERATURE: -55°C TO +85°C (OPERATING)
-65°C TO +125°C (STORAGE)
- HUMIDITY: MIL-STD-202F, METHOD 103B COND. B
- SHOCK: MIL-STD-202F, METHOD 213B COND. B
- VIBRATION: MIL-STD-202F, METHOD 204D COND. B
- ALTITUDE: MIL-STD-202F, METHOD 105C COND. B
- TEMPERATURE CYCLE: MIL-STD-202F, METHOD 107D COND. A

NOTE: SPECIFICATIONS WILL VARY OVER OPERATING TEMPERATURE
NOTE: THE ABOVE SPECIFICATIONS ARE SUBJECT TO CHANGE OR REVISION

ALL DIMENSIONS ARE IN INCHES
TOLERANCES:
X.XX ±0.020
X.XXX ±0.010

AMERICAN MICROWAVE CORPORATION

7311-G GROVE ROAD
FREDERICK, MARYLAND 21704 USA
TEL: 301-662-4700 FAX: 301-662-4938
WEBSITE: www.americanmicrowavecorp.com
E-MAIL: sales@americanmicrowavecorp.com
ISO 9001:2000 CERTIFIED

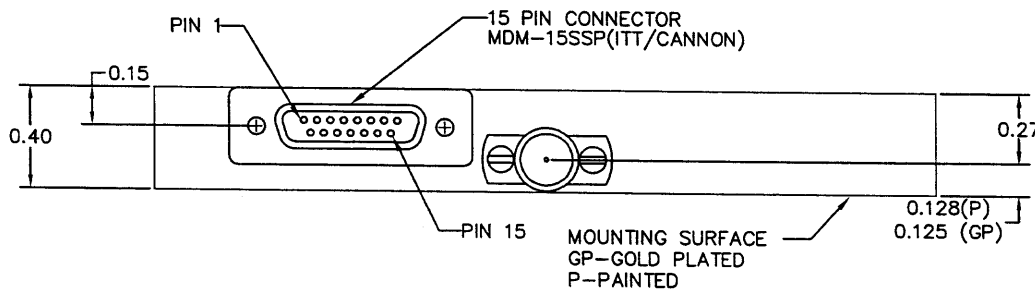
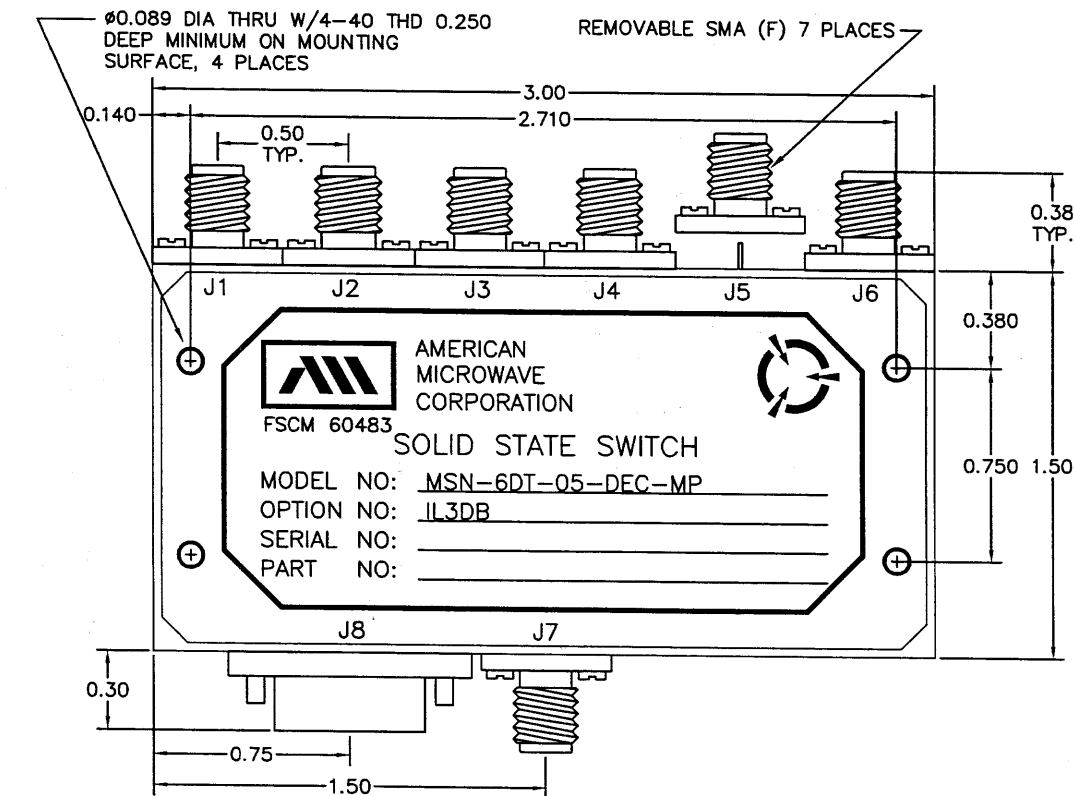


APPROVALS		DATE	TITLE		REV.
DRAWN	JDJ	10/12/04	PRODUCT FEATURE MSN-6DT-05-DEC-MP OPTION: IL3DB 0.5 TO 18 GHz, SINGLE POLE SIX THROW SWITCH		-
CHECKED	M	2/1/04	SIZE	FSCM NO.	DWG NO.
ISSUED			A	60483	100-7158
			SCALE	N:S	SHEET 1 OF 3

DESCRIPTION

AMC MODEL MSN-6DT-05-DEC-MP OPTION: 1L3DB IS AN ABSORPTIVE/NON-REFLECTIVE SINGLE POLE SIX THROW SWITCH DESIGNED TO OPERATE OVER THE FULL 0.5 TO 18 GHz FREQUENCY RANGE WITH AN ISOLATION OF 60 dB MINIMUM AND INSERTION LOSS OF 3.5 dB MAXIMUM.

MECHANICAL OUTLINE

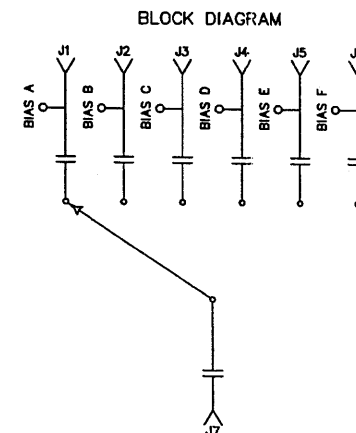


ALL DIMENSIONS ARE IN INCHES
TOLERANCES:
X.XX ±0.020
X.XXX ±0.010

REVISIONS				
ZONE	REV.	DESCRIPTION	DATE	APPROVED
-		ORIGINAL RELEASE JOB# 407176	10/12/04	

INPUTS			PORT ON
E1	E2	E3	
H	L	L	J1
L	H	L	J2
H	H	L	J3
L	L	H	J4
H	L	H	J5
L	H	H	J6

PIN NO.	FUNCTION
1	E1
2	E2
3	E3
4	N/C
5	N/C
6	N/C
7	N/C
8	N/C
9	N/C
10	N/C
11	N/C
12	GND
13	+V
14	-V
15	GND



AMERICAN MICROWAVE CORPORATION

7311-G GROVE ROAD
FREDERICK, MARYLAND 21704 USA
TEL: 301-662-4700 FAX: 301-662-4938
WEBSITE: www.americamicrowavecorp.com
E-MAIL: sales@americamicrowavecorp.com
ISO 9001:2000 CERTIFIED



APPROVALS		DATE	TITLE		
DRAWN	<i>gdf</i>	10/12/04	MECHANICAL OUTLINE MSN-6DT-05-DEC-MP OPTION: 1L3DB 0.5 TO 18 GHz, SINGLE POLE SIX THROW SWITCH		
CHECKED	<i>pk</i>	12/16/04	SIZE	FSCM NO.	DWG NO.
ISSUED			A	60483	100-7158
			SCALE	SHEET 2 OF 3	